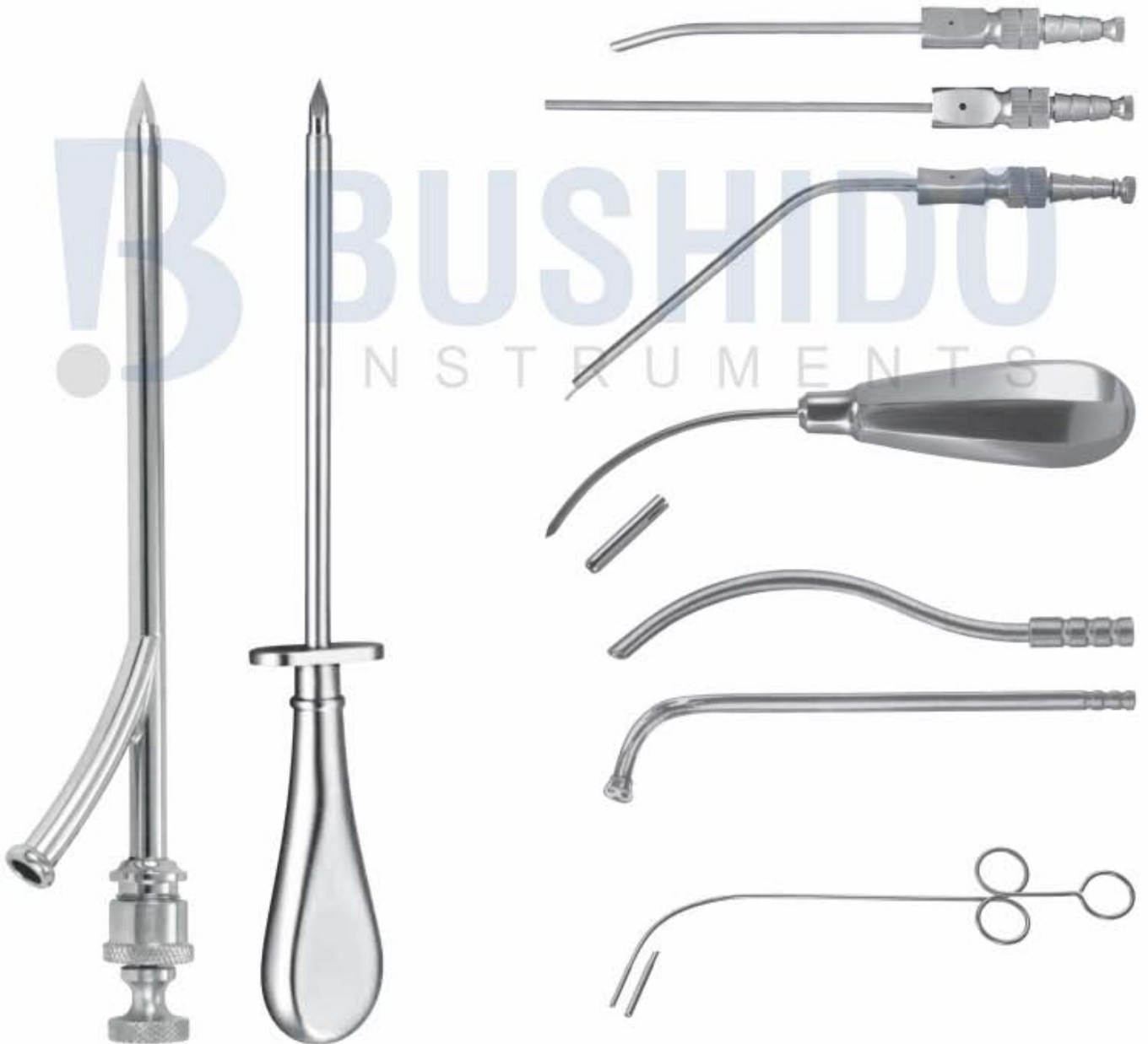


TROCARS, SUCTION TUBES, NEEDLE AND PROBES





Cap Only

Universal Abdominal Trocar Set 02-01
(Handle with 4 needles) 14 cm
Fig. 1.7 mm Ø to 6 mm Ø
02-02
Only Handle

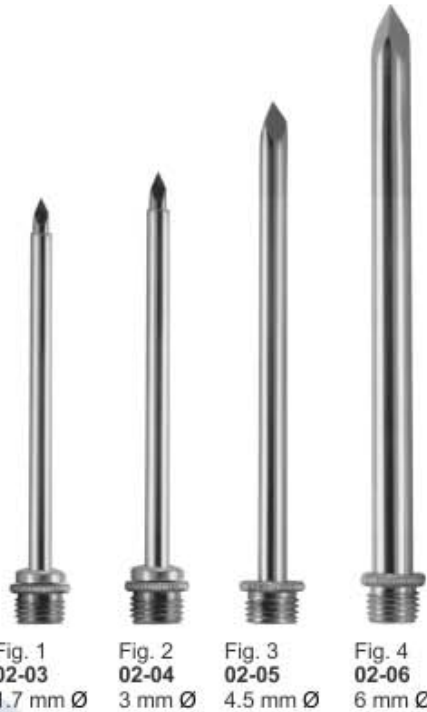


Fig. 1
02-03
1.7 mm Ø

Fig. 2
02-04
3 mm Ø

Fig. 3
02-05
4.5 mm Ø

Fig. 4
02-06
6 mm Ø



Universal Abdominal Trocar Set 02-07
(Handle with 4 needles) 14 cm
Fig. 1.7 mm Ø to 6 mm Ø
02-08
Only Handle



Fig. 1
02-09
1.7 mm Ø

Fig. 2
02-10
3 mm Ø

Fig. 3
02-11
4.5 mm Ø

Fig. 4
02-12
6 mm Ø



Uckermann Trocar 02-14
13cm



Sinuscopy Trocar 02-15
17cm



3.5mm Ø **02-15**

5.0mm Ø **02-16**

5.0mm Ø **02-17**



Nelson Trocar Thorax 02-20
21cm



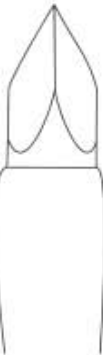
02-18
6.0mmØ



02-19
8.3mmØ



02-20
9.5mmØ



02-21
11.6mmØ



Luer, Trocar 02-13
Luer Lock Adapter

Trokare | Trócares
Trocarcs | Trequarti



Complete
02-22
1.8mm Ø
02-23
2.0mm Ø

02-35
3.0mm Ø
02-36
4.0mm Ø
02-37
5.0mm Ø

02-25 3 1/3 mm Ø
02-26 4 mm Ø
02-27 4 2/3 mm Ø
02-28 5 1/3 mm Ø
02-29 6 mm Ø
02-30 6 2/3 mm Ø
02-31 7 1/3 mm Ø
02-32 8 mm Ø
02-33 8 2/3 mm Ø
02-34 9 1/3 mm Ø

Lichtwitz
Antrum Trocar
19 cm

Landau, Trocar
02-24 2.0mmØ
16cm

Ochsner
Trocar Thorax
10cm

Pierce
Antrum Trocar
17cm

Krause, Trocar
02-38 15cm
5.5mm Ø

Coakley, Trocar
02-39 16cm
2.25mm Ø

Duke Trocar
02-40 11cm
5.5mmØ

Douglas Trocar
02-41 12cm
3mm

Trocar
02-42
11 cm

Birch Trocar
02-43 18cm
4.5mm

Trocar
02-44

Trokare | Trócares
Trocarts | Trequarti



Buelau, Trocar
02-45 8 mm
24 cm



Fleurant Trocar
02-46 23cm
5 mm Ø

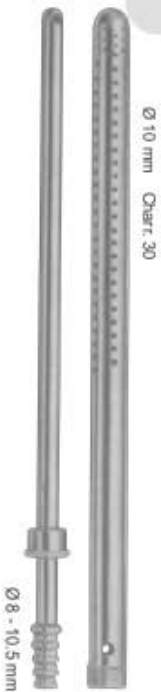
Fleurant Trocar
02-47 23cm
5mm Ø

Fleurant Trocar
02-48 23cm
5 mm Ø



Pool
02-49 22.5 cm
Suction cannula with
outer tube to be screwed

SUCTION TUBES



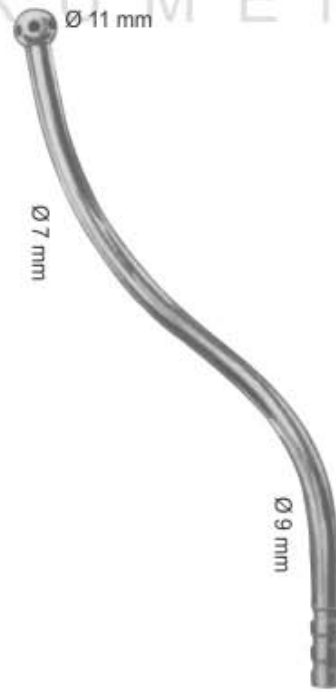
Pool
02-50 22.5 cm
Suction cannula with
outer tube to be screwed



02-51 18 cm
for tonsillectomy,
oral and laryngeal
operations



02-52 22 cm
Suction Cannula for
tonsillectomy, oral
and laryngeal operations



02-53 18 cm
suction cannula for
tonsillectomy, oral
and laryngeal operations



02-54 17 cm
S-shaped blunt cannula
for aspirating fluid from
the excretory ducts of
large glands and for
keeping the operations
area clear

Saugrohre | Tubos de aspiracion
Canules d'aspiration | Tubi per aspirazione

Cooley, Suction Tube
02-55 18 cm
6mm Ø

Cooley, Suction Tube
02-56 18 cm
7mm Ø

Cooley, Suction Tube
02-57 18 cm
09mm Ø

Cooley, Suction Tube
02-58 32.7 cm
9mm Ø Curved

Andrews-Pynchon Suction Tube
02-59 23.5 cm

Yankauer Suction Tube
02-62
31 cm, 15 cm
2.5 cm, 10 cm

Yankauer Suction Tube
02-63
31 cm, 15 cm
2.5 cm, 10 cm

De Bakey suction tube
02-64
27.5 cm

Yankauer Suction Tube
02-65 27 cm
Baby Yankauer
02-66 21 cm

Coupland Suction Tube
02-67

Byrd, Suction Tube
02-68 1.5 mm
02-69 2.5mm
02-70 3.5 mm

Adson suction tubes
02-71
4 mm Ø
15 cm

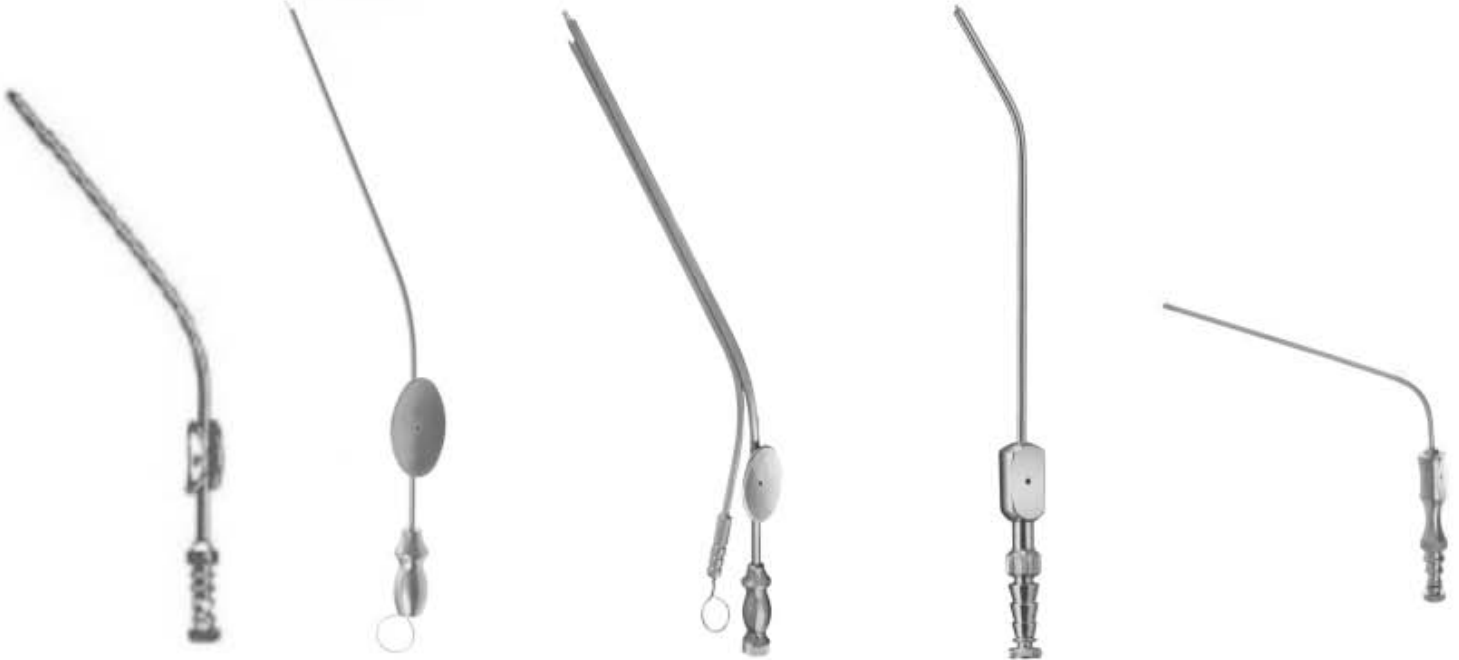
Adson suction tubes
21 cm
02-72
4 mm Ø 12 Charr./Fr
02-73
5 mm Ø 15 Charr./Fr

02-74
Wullstein Suction
Tube Complete

Gorney Suction Tubes
02-75
18 cm
suction dissector

Landolt Dissecting Suction Tubes
02-76 4 mm wide
02-77 5 mm wide
20 cm
suction raspatories, sharp,

Lopez-Reinke Suction Tubes
02-78
23.5 cm
tonsil dissector with
suction device



Plester Daumenplatt
02-79 6 Charr./Fr.
02-80 7 Charr./Fr.
02-81 8 Charr./Fr.
02-82 9 Charr./Fr.
02-83 10 Charr./Fr.
02-84 11 Charr./Fr.
02-85 12 Charr./Fr.
02-86 15 Charr./Fr.

Baron suction tubes 7.5 cm
02-87 1 mm Ø 3 Charr./Fr.
02-88 1 2/3 mm Ø 5 Charr./Fr.
02-89 2 1/3 mm Ø 7 Charr./Fr.

Baron suction tubes 10 cm
02-90 1 mm Ø 3 Charr./Fr.
02-91 1 2/3 mm Ø 5 Charr./Fr.
02-92 2 1/3 mm Ø 7 Charr./Fr.

House suction tubes 7.5 cm
02-93 1 mm Ø 3 Charr./Fr.
02-94 1 2/3 mm Ø 5 Charr./Fr.
02-95 2 1/3 mm Ø 7 Charr./Fr.
02-96 2 2/3 mm Ø 8 Charr./Fr.
02-97 3 1/3 mm Ø 10 Charr./Fr.
02-98 4 mm Ø 12 Charr./Fr.
02-99 4 2/3 mm Ø 14 Charr./Fr.

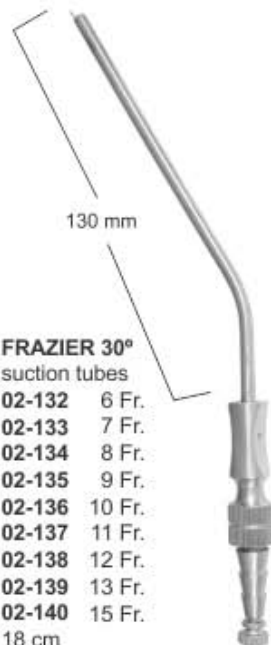
House suction tubes 10 cm
02-100 1 mm Ø 3 Charr./Fr.
02-101 1 2/3 mm Ø 5 Charr./Fr.
02-102 2 1/3 mm Ø 7 Charr./Fr.
02-103 2 2/3 mm Ø 8 Charr./Fr.
02-104 3 1/3 mm Ø 10 Charr./Fr.
02-105 4 mm Ø 12 Charr./Fr.
02-106 4 2/3 mm Ø 14 Charr./Fr.

Plester Suction Tubes 17 cm
02-107 2.0 mm Ø 6 Charr./Fr.
02-108 2.3 mm Ø 7 Charr./Fr.
02-109 2.5 mm Ø 8 Charr./Fr.
02-110 3.0 mm Ø 9 Charr./Fr.
02-111 3.3 mm Ø 10 Charr./Fr.
02-112 3.5 mm Ø 11 Charr./Fr.
02-113 4.5 mm Ø 12 Charr./Fr.
02-114 5.0 mm Ø 15 Charr./Fr.

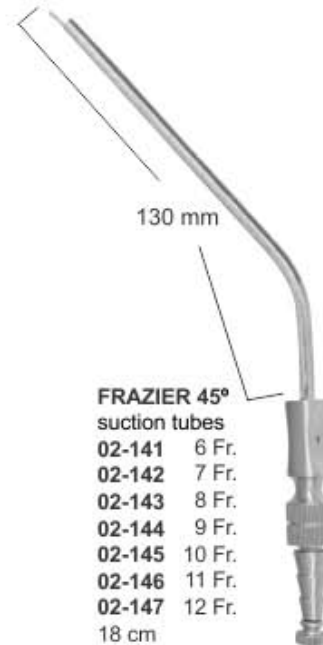
Fergusson Suction Tubes 17 cm
02-115 2.0 mm Ø 6 Charr./Fr.
02-116 2.3 mm Ø 7 Charr./Fr.
02-117 2.5 mm Ø 8 Charr./Fr.
02-118 3.0 mm Ø 9 Charr./Fr.
02-119 3.3 mm Ø 10 Charr./Fr.
02-120 3.5 mm Ø 11 Charr./Fr.
02-121 4.5 mm Ø 12 Charr./Fr.
02-122 5.0 mm Ø 15 Charr./Fr.



FRAZIER
suction tubes
02-123 6 Fr.
02-124 7 Fr.
02-125 8 Fr.
02-126 9 Fr.
02-127 10 Fr.
02-128 11 Fr.
02-129 12 Fr.
02-130 13 Fr.
02-131 15 Fr.
19 cm



FRAZIER 30°
suction tubes
02-132 6 Fr.
02-133 7 Fr.
02-134 8 Fr.
02-135 9 Fr.
02-136 10 Fr.
02-137 11 Fr.
02-138 12 Fr.
02-139 13 Fr.
02-140 15 Fr.
18 cm



FRAZIER 45°
suction tubes
02-141 6 Fr.
02-142 7 Fr.
02-143 8 Fr.
02-144 9 Fr.
02-145 10 Fr.
02-146 11 Fr.
02-147 12 Fr.
18 cm

Cannula

- 02-148 ○ 6fr
- 02-149 ○ 7fr
- 02-150 ○ 8fr
- 02-151 ○ 9fr
- 02-152 ○ 10fr
- 02-153 ○ 11fr
- 02-154 ○ 12fr
- 02-155 ○ 13fr
- 02-156 ○ 14fr



Saug-und Spülkanülen | Canulas para aspiracion y lavado
 Canules pour aspiration | Cannule per aspirazione e lavaggio



Luer
02-157
Suction Tube working
length 110 mm



Nasal Suction Tubes
02-158 Ø 4.5 mm
02-159 Ø 5.5 mm
17.5 cm



**Eicken
Suction &
Irrigation Cannula**
02-160 2.5 mm Ø
02-161 3.0 mm Ø
Slightly curved



**Eicken
Suction &
Irrigation Cannula**
02-162 2.5 mm Ø
02-163 3.0 mm Ø
Strongly curved



**Tonsil Needle
Suction &
Irrigation Cannula**
02-164 0.8 mm Ø
Straight



**Tonsil Needle
Suction &
Irrigation Cannula**
02-165 0.8 mm Ø
Curved



**Septum Needle
Suction &
Irrigation Cannula**
02-166 0.8 mm Ø
bayonet



**Septum Needle
Suction &
Irrigation Cannula**
02-167 0.8 mm Ø
angled on flat



**Luer-Lock Suction &
Irrigation Cannula**
02-168 3.0 mm Ø



**Luer-Lock Suction &
Irrigation Cannula**
02-169 2.5 mm Ø



**Fisch Suction &
Irrigation Cannula**
02-170 4.0 mm Ø

Probe, Double Ended
1.0 mm Ø
02-171 11.5cm
02-172 13.0cm
02-173 14.5cm
02-174 16.0cm
02-175 18.0cm
02-176 20.0cm
02-177 25.0cm

Probe, Double Ended
1.5 mm Ø
02-178 11.5cm
02-179 13.0cm
02-180 14.5cm
02-181 16.0cm
02-182 18.0cm
02-183 20.0cm
02-184 25.0cm

Probe, Double Ended
2.0 mm Ø
02-185 11.5cm
02-186 13.0cm
02-187 14.5cm
02-188 16.0cm
02-189 18.0cm
02-190 20.0cm
02-191 25.0cm



Probe With Eye
2.0mm Ø
02-192 11.5cm
02-193 13.0cm
02-194 14.5cm
02-195 16.0cm
02-196 18.0cm
02-197 20.0cm
02-198 25.0cm
with eyelet



Probe
2.0mm Ø
02-199 11.5cm
02-200 13.0cm
02-201 14.5cm
02-202 16.0cm
myrtle-shaped



Hartmann, Eustachian Catheters
Fig. 1
02-203 2.0 mm Ø
02-204 2.5 mm Ø
02-205 3.0 mm Ø

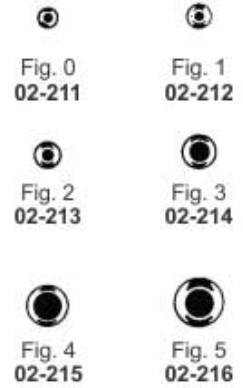
Hartmann Eustachian Catheters
Fig. 2
02-206 2.0 mm Ø
02-207 2.5 mm Ø
02-208 3.0 mm Ø



Killian, Eustachian Catheters
02-209 16 cm 2.5 mm Ø
02-210 16 cm 3.0 mm Ø
oval opening



Hartmann Eustachian Catheters
15cm



Trötsch Eustachian Catheters 15cm



Zöllner, Suction Tube
02-223 0.7mm Ø
complete with 1 slip-on
cannula, 0.7mm Ø



Iowa, Suction Tube
02-224 0.7mm Ø
16cm



Rosen Suction Tube
X=80 mm
02-225 0.7mm Ø
02-226 0.9mm Ø
02-227 1.2mm Ø



ROSEN, Suction Tube
X=65 mm
02-228 0.7mm Ø
02-229 0.9mm Ø
02-230 1.2mm Ø



Magill Suction Tube
24.5cm
02-231 3.0mm Ø
02-232 3.5mm Ø
02-233 4.0mm Ø



Suction Tube, Guide Needle
19.5cm
02-234 2.2/3mmØ 8 Charr./Fr.
02-235 3.1/3mmØ 10 Charr./Fr.
02-236 4mmØ 12 Charr./Fr.
02-237 4 2/3mmØ 14 Charr./Fr.
02-238 5 1/3mmØ 16 Charr./Fr.
02-239 6mmØ 18 Charr./Fr.



Suction Tube, Guide Needle
19.5cm
02-240 2mmØ 6 Charr./Fr.
02-241 2.2/3mmØ 8 Charr./Fr.
02-242 3 1/3mmØ 10 Charr./Fr.
02-243 4mmØ 12 Charr./Fr.
02-244 4 2/3mmØ 14 Charr./Fr.
02-245 5 1/3mmØ 16 Charr./Fr.
02-246 6 1/3mmØ 18 Charr./Fr.



Suction Tube, Guide Needle
Lancet Tip 19.5cm
02-247 2.2/3mmØ 8 Charr./Fr.
02-248 3.1/3mmØ 10 Charr./Fr.
02-249 4mmØ 12 Charr./Fr.
02-250 4 2/3mmØ 14 Charr./Fr.
02-251 5 1/3mmØ 16 Charr./Fr.
02-252 6mmØ 18 Charr./Fr.

Sonden | Sondas y estiletos

Sondes et stylets | Specilli e sonde

**Butterfly Grooved Director
With Tongue Tie Plain End**

- 02-253 11.5cm
- 02-254 13.0cm
- 02-255 14.5cm
- 02-256 16.0cm
- 02-257 18.0cm
- 02-258 20.0cm



**Butterfly Grooved Director
With Tongue Tie Plain End**

- 02-259 11.5cm
- 02-260 13.0cm
- 02-261 14.5cm
- 02-262 16.0cm
- 02-263 18.0cm
- 02-264 20.0cm



**Doyen
Probes &
Directors
02-265
14cm**



**Nélaton
Probes &
Directors
02-266
16cm**



**Directors
02-267 13cm
02-268 14.5cm
02-269 16cm
Larry Probe
and Grooved
Director,
17.8 cm**



**Doyen
02-270
14.5cm**



**Nélaton
02-271
16cm**



**Director Probe
End
02-272 14cm
Director with tip
Diam. of tip
3.3 mm**



**Brodie
02-273 20cm
Director with
tip Diam. of
tip 3.5 mm**



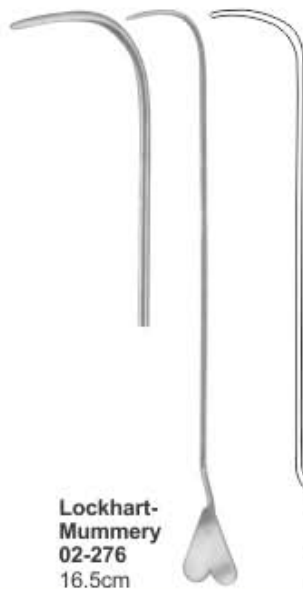
**Lockhart-
Mummery
02-274
16.5cm**



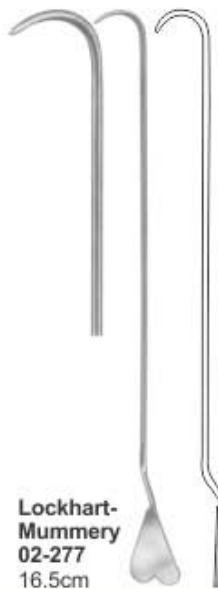
**Lockhart-
Mummery
02-275
16.5cm**



**Lockhart-
Mummery
02-276
16.5cm**



**Lockhart-
Mummery
02-277
16.5cm**



**Director
with wire
loop,
malleable
02-278
19cm**



COTTON APPLICATORS



Jopson-Horne
Cotton Applicator
02-279 18cm



Fein Cotton
Applicator
02-280 28cm



Pelteson Cotton
Applicator
02-281 23cm



Barr Fistula Probe
02-282
with 20.3cm sterling shaft,
eye at tip, 29.2cm overall



Barr Crypt Hook
02-283
25.4cm short and
long hook ends



Buie Suction Tube
02-284
45 cm with finger
valve, 15 Fr. (5 mm)

Bowman Lacrimal Probes Double Ended, Sterling Silver



02-285
Bowman Probe,
000-0000



02-286
Bowman Probe,
00-0



02-287
Bowman Probe,
1-2



02-288
Bowman Probe,
3-4



02-289
Bowman Probe,
5-6



02-290
Bowman Probe,
7-8

William Lacrimal Probes Double Ended, Sterling Silver



02-291
William Probe,
000-0000



02-292
William Probe,
00-0



02-293
William Probe,
1-2



02-294
William Probe,
3-4



02-295
William Probe,
5-6



02-296
William Probe,
7-8

Sonden | Sondas y estiletos

Sondes et stylets | Specilli e sonde



Biolvar
02-297 15cm
02-298 18cm
02-299 20cm

Desjardim
02-300
18cm
(Set 3 Pieces)

Probes With Eye
02-301 14.5cm
02-302 16.0cm
02-303 20.0cm

Myrtle Leaf Probe
02-304 14.5cm

Myrtle Leaf Probe
02-305 13.0cm
02-306 14.5cm
02-307 16.0cm
02-308 18.5cm
02-309 20.0cm

Probe
02-310

Wilder Lacrimal Dilator
02-311 10cm
medium taper

02-312 19cm
Double ended probe,
malleable, diam,
of tips 3 mm with hole

02-313 25cm
02-314 30cm
Double ended probes,
tin, malleable, diam,
of tips 3.5 mm with hole

02-315 40cm
Double ended probes,
tin, malleable, diam,
of tips 4 mm with hole

02-316 1.5 mm
02-317 2.0 mm
02-318 2.5 mm
30cm

Clips Mayo
02-319 14cm

Stacke
02-320
10cm

Killian
02-321
16.5cm

02-322
16.5cm

Seiffert
02-323
18cm

Modell Piccolo
02-324 11cm
Round Serrated

Modell Piccolo
02-325 11cm
Triangular Serrated
end

Farrell
02-326 11cm
Round Serrated
end

Lathbury-Farrel
02-327 11cm
Triangular Serrated
end

Spatula
02-328
14.5cm

Spatula
02-329
14.5cm